

CHEMICAL PUMP & FILTER
WITH ACID-ALKALI RESISTANCE
EXPERT IN R&D AND MANUFACTURING

ELECTROMAGNETIC METERING PUMP

Love Chinese Pumps



////////企華辦公區和車間实拍////////
Workshop & Warehouse



公司简介

COMPANY PROFILE

广东企华工业设备有限公司于2010年初在东莞市厚街镇成立，专业研发、制造、销售耐酸碱、耐空转化工泵及相关配套设备，产品广泛应用于电镀、五金、线路板、医疗、太阳能、半导体、涂装行业的化学药水循环、过滤、输送环节，也可用于废气废水的排污环节。

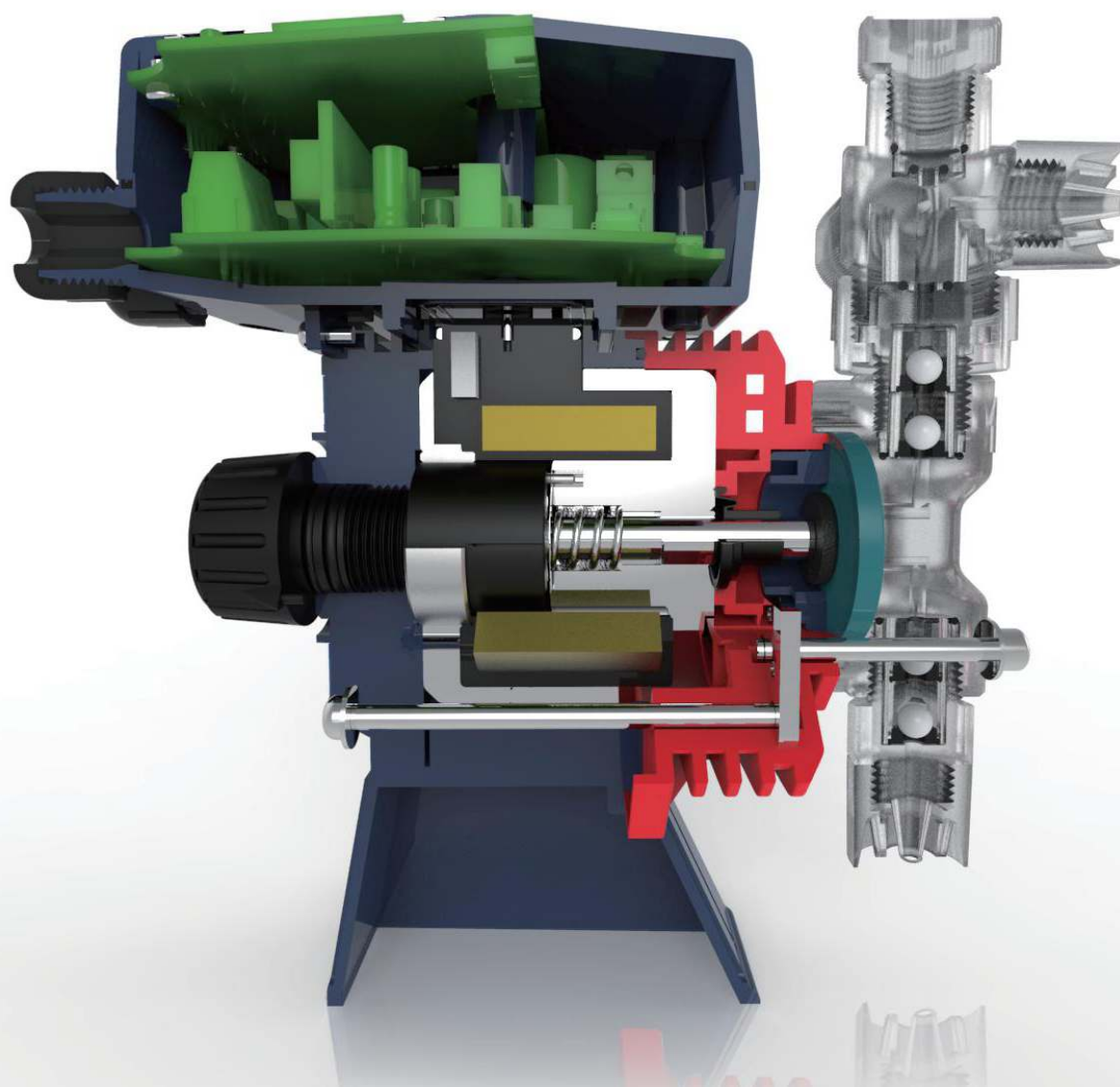
主营产品：耐酸碱磁力泵、耐酸碱自吸泵、可空转立式泵、耐酸碱过滤机、计量泵、气动隔膜泵、插桶抽液泵等。

特点优势：耐腐蚀、防空转、超静音、易安装、寿命长，节能。

Guangdong Qeehua Industry Equipment Co., LTD was founded in early 2010 in Dongguan Houjie town, specializes in R&D, manufacturing and selling acid and alkali resistant, idling chemical pump and related auxiliary equipment. Our products are widely used in electroplating, hardware, circuit boards, medical treatment, solar energy, semiconductor, coating industry, for chemical liquid medicine circulation, filtering, transmission; it can also be used in exhaust gas and wastewater drainage.

Main products: acid and alkali resistant magnetic pump, self-priming acid and alkali resistant pump, idling vertical acid and alkali resistant pump, acid and alkali resistant filter, metering pump, pneumatic diaphragm pump and barrel pump.

Product Advantages: Corrosion resistance, Dry running protection, Ultra-silence, Easy Installation, Long service life, Energy efficiency



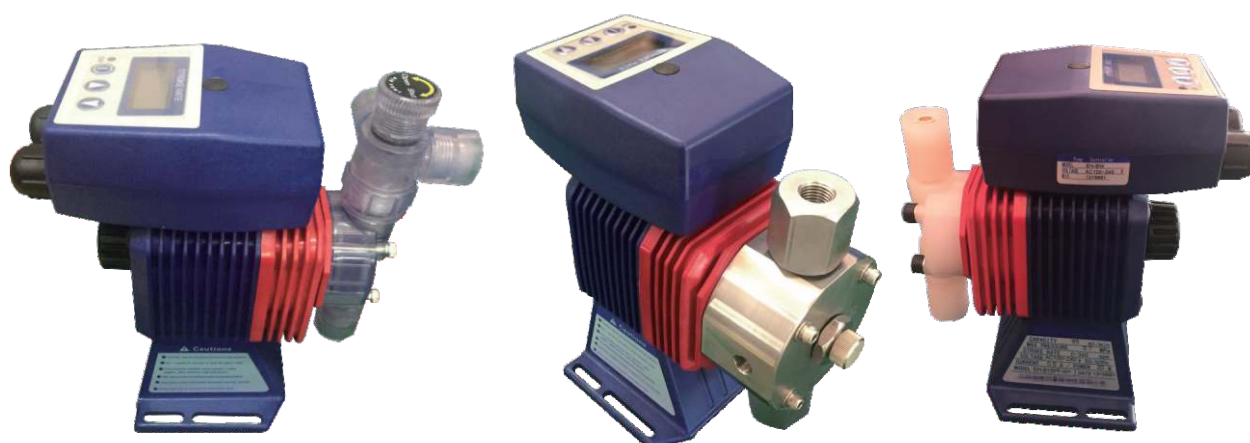
01

电磁计量泵

ELECTROMAGNETIC METERING PUMP

1. 模块化分仓结构泵头模块驱动模块电路模块相互隔离散热优良,互不干扰。
2. 线圈全塑密封,一体成型内置热保护传感器避免震动摩擦及高温老化使线圈短路烧毁电路板。
3. 进口材质复合膜片及膜片后挡板结构膜片更柔软计量更精准使用寿命更长。
4. 全系列宽电压配置适用于全球不同国家电压要求是设备配套的必备优品。
5. 频率最高可达360次/分钟稳定运行整体震动更小,管路脉动更小,计量更精准,广泛适用于各个领域。
6. 泵头及过流端部分材料更讲究更高端上档次。
7. 全系列配备冲程调节旋钮,单次泵出流量可调。
8. 运行噪音低安静环保。
9. 膜片及泵头型号更多有效避免出口压力变化导致的流量不稳。
10. 同等流量及压力的情况下,工作效率更高更节能。

1. Modular sub-storage structure, pump head module, drive module, circuit module are isolated from each other, do not interfere with each other, excellent heat dissipation, effectively avoiding leakage of water in the pump head and burning the circuit board.
2. Coil full plastic seal, integrated molding, built-in thermal protection sensor, to avoid vibration friction and high temperature aging, the coil short circuit burned the circuit board.
3. Imported material composite diaphragm and diaphragm back baffle structure, more accurate measurement and longer service life.
4. Full range of wide voltage configuration, suitable for voltage requirements in different countries around the world, is a must-have item for equipment.
5. Frequency up to 360 spm stable operation, the overall vibration is smaller, the pulsation is smaller, the measurement is more precise, and it is widely used in various fields.
6. The pump head and flow end part use medical grade PVC transparent material, which is more exquisite, more high-end.
7. The whole series are equipped with stroke adjustment knob with adjustable single flow .
8. Low noise operation, quiet and environmental.
9. More models of diaphragm and pump head can effectively avoid the flow instability caused by the change of outlet pressure.
10. Under the same flow and pressure, the work efficiency is higher and more energy saving.



型号选型

MODEL SELECTION

系列SERIES

EZ系列	手动型 Manual Type	手动调节经济实用。 Manual adjustment, economical and practical.
EP系列	手动型 Manual Type	LED显示手动按键调节方便准确 LED display, manual key adjustment, Convenient and accurate
ET系列	脉冲型 Pulse Type	5-24V脉冲信号控制经济实用 5-24 V pulse signal control, Economical and practical
EH系列	LCD显示 带液位检测	手动控制及自动控制配置脉冲信号接口。 Can both do manual control and automatic control with the configuration of pulse signal interface.
EN系列	LCD display with liquid level detection	手动控制及自动控制配置4-20mA的信号接口。 Can both do manual control and automatic control with the configuration of 4~20mA signal interface.
ED系列	LCD display with liquid level detection	手动或RS485总线控制。 Can do manual control or RS485 bus mastering.

型号	压力	流量	冲程流量	最大频率	功率	排气阀
B10	10	2.28	0.05~0.11	360	20W	o
B15	7	3.9	0.09~0.18	360	20W	o
B20	4	5.7	0.13~0.26	360	20W	o
B30	2	12	0.28~0.56	360	20W	×
C15	10	4.8	0.09~0.22	360	24W	o
C20	7	7.8	0.14~0.36	360	24W	o
C30	3.5	16.2	0.3~0.75	360	24W	×
C35	2	24	0.44~1.11	360	24W	×

过流端材质 Flow End Materials	泵头 Pump Head	球阀 Valve Ball	阀座 Valve Set	阀套 Valve Guide	垫片 Gasket	O型圈 O-Ring	膜片 Diaphragm	适用药液 Apply to
VC	PVC	陶瓷 CERAMIC	FKM	PVC	PTFE	FKM	PTFE+EPDM(EPDM不与液体接触) (EPDM is not wet-end)	酸性药液 Acid Agentia
VH	PVC	陶瓷 CERAMIC	EPDM	PVC	PTFE	EPDM	PTFE+EPDM(EPDM不与液体接触) (EPDM is not wet-end)	碱性药液 Alkaline Agentia
DF	PVDF	陶瓷 CERAMIC	PTFE	PVDF	PTFE	PTFE	PTFE+EPDM(EPDM不与液体接触) (EPDM is not wet-end)	强酸浓酸 Strong Acid
SU	SU316	SU316	SU316	SU316	PTFE	PTFE	PTFE+EPDM(EPDM不与液体接触) (EPDM is not wet-end)	高温液体 High Temperature

电源电压代码Voltage Code

W

全系列宽电压设计Wide Voltage AC100~240V,50Hz /60Hz

软管连接直径Connection Tubing (IDxOD)

1	ø4×ø9(PVC透明网纹管3m) (PVC transparent braided tube 3m)
2	ø8×ø13(PVC透明网纹管3m) (PVC transparent braided tube 3m)
3	ø4×ø6(PVDF透明管3m) (PVDF transparent tube 3m)
4	ø8×ø10(PVDF透明管3m) (PVDF transparent tube 3m)

E Z - B 1 0 V C - W 1

02

LT系列 LT SERIES



直流供电 DC Power Supply

DC12V或DC24V供电, 内置程序
DC voltage operation, DC12V or DC24C.

高频率 High Frequency

脉冲控制的 s p m 范围为 0 - 720次/分钟, 每一次注射最小流量为0.055ml

High frequency:0-720strokes per minute.Internal or external control, types of control: PULSE. The minimum flow rate is 0.055ml per stroke.

防水和防尘结构 Waterproof And Dustproof Construction

驱动单元和控制单元防水/防尘的防护等级IP65.该泵不完全防水, 在户外安装时做好防护。
Ip65 waterproof and dustproof design.The pump is not completely waterproof and should be protected when installed outdoors.

脉冲控制 Types of control:PULSE

- 脉冲信号输入控制泵操作 (冲程速率)。
The pump can receive the pulse signal to work.
- 每次脉冲泵同步工作一次。
The pump works synchronously once by single pulse signal.
- 除了供电电源外, 还需要输入脉冲信号来操作泵。
In addition to the power supply, input pulse signals are required to operate the pump.
- 即使外部信号输入脉冲超过720spm, 泵工作速率也不能超过720spm。
Pump operating rate should not exceed 720spm even if the external signal input pulse exceeds 720spm.

型号选型

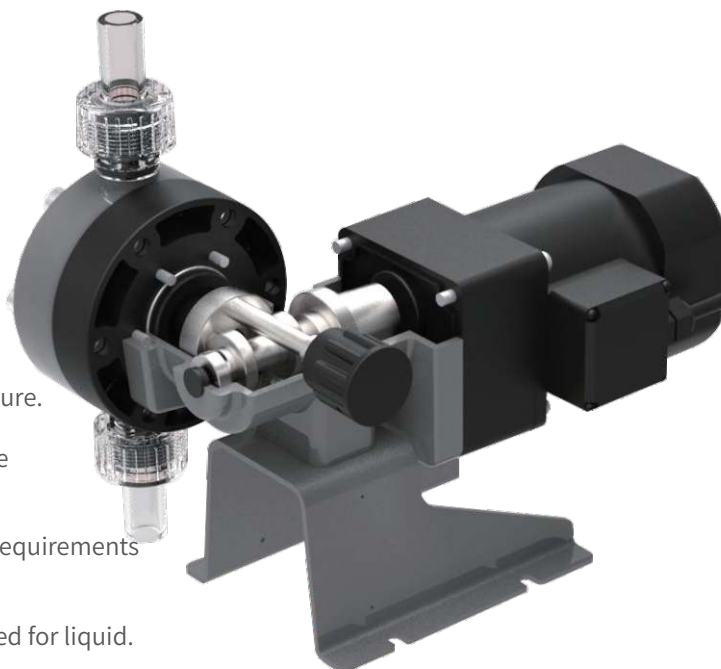
MODEL SELECTION

型号 Model	流量 Capacity (ml/min)	压力 Pressure (Mpa)	频率 Speed (spm)	接口 Connection	电压 Voltage (V)	功率 Power (W)	电流 Electricity (A)	重量 Weight (kg)
LT-1	38	0.2	720	4mmX6mm	12	5.6	1.5	0.5
LT-2	38	0.2	720	4mmX6mm	24	5.6	1.0	0.5

03

GY系列 GY SERIES

- 体积小, 易安装
Small size, easy to install.
- 高精度, 精度±2%
High precision ±2%.
- 进口品牌NSK轴承
Import brand NSK bearing.
- 零件更换简单, 易保养
Spare parts are easy to replace and maintain.
- 铝合金外盒, 坚固耐用
The outer case made of aluminum alloy is durable.
- 双凸轮结构, 运转稳定, 寿命更长
Stable operation and longer life with double CAM structure.
- 标配PVC泵头, 非PP泵头, 更耐腐蚀
Standard PVC pump head instead of PP material is more corrosion resistant.
- 进口材质复合膜片, 工艺要求高, 寿命长
Import material combination diaphragm, high process requirements and long life.
- PVC网纹管或PVC 4分透明管, 便于观测液体
PVC reticulated or 1/4 transparent tube is easily observed for liquid.
- 多样的泵头材质, 可提供使用者最适合输送液的材料
Varies of pump head material can offer the most suitable product of different liquid for users.
- 接口选择灵活, 标配PVC网纹管(含底阀和注射头)或PVC1/2
Flexible interface selection, standard PVC reticulated tube(including foot valve and injection head) or PVC1/2.
- 中国十大品牌电机, 马达附接线盒, 防护等级提高至F级IP55
China's top ten motor brands, motor with junction box, The protection level has been raised to F level IP55.

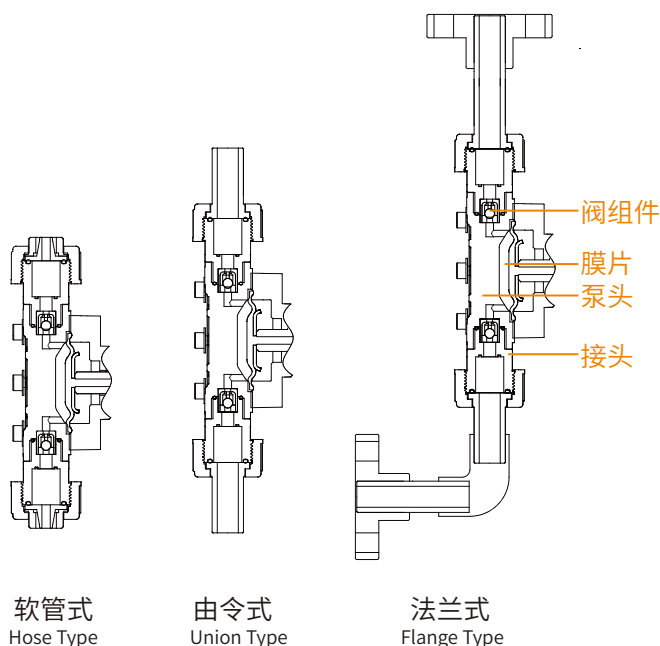


可选配件

OPTIONAL ACCESSORIES



	配件名称 Accessory Name	型号 Model	适用机型 Compatible
标准配件 Standard Accessory	连接硬管 Hard Tube Connection	DN15	所有机型 All Models
可选配件 Optional Accessory	带底阀过滤器 Filtrator With Bottom Valve	SFV-8×13	
	止回阀 Check Valve	CA-21	
	可调背压阀 Adjustable Back Pressure Valve	BYF	
	连接软管 Hose Connection	8×13	



型号选型

MODEL SELECTION

计量泵型式 Model	膜片直径 Diaphragm diameter (mm)	冲程长度 Stroke Length (mm)	冲程次数 Stroke Number(spm)		减速比 Reduction Ratio	流量 Capacity L/H(0Mpa)		最大压力 Max. Pressure (Mpa)	马达功率 Power (W)	标准品配管 Standard Piping (PVC)
			50Hz	60Hz		50Hz	60Hz			
GY25	ø65	4	75	90	1/20	25.8	31.8	1	40	DN15 连接硬管
GY40			120	144	1/12.5	43.8	53.1			
GY60			166	200	1/9	61.5	72.9			
GY90	ø84	8	75	90	1/20	88.5	108.9	0.5	90	
GY150			120	144	1/12.5	141.3	170.7			
GY200			166	200	1/9	200	240			

*测试液体及条件：常温、清水，吸入高度1米，冲程长度100%。 *加装反虹吸背压阀有助于吐出量稳定精确。

*性能会因现场使用条件而不同。

*冲程长度调整方式：停止、运转中手动调整。

*Test liquid and condition: normal temperature, clean water, suction height 1 meters, stroke length 100%.

*Retrosiphonage back pressure valve is helpful for stable and accurate discharge.

*Performance will vary according to field conditions.

*Stroke length adjustment mode: manual adjustment during stop and operation.

型号示意

MODEL INDICATION

GY	90	-	C	F
①	②	-	③	④

① 系列名 Model

② 流量 Capacity

③ 过流端材质 Material

C : PVC 4 : SUS304 6 : SUS316

F : PVDF E : PTFE

④ 接口方式 Connection Type

F: 法兰 Flange PVC、SUS、PVDF

R: 软管 Hose PVC

U: 由令 Union PVC

Y: 牙口 Screw SUS、PTFE

*电机可配直流12V、直流24V、单相110V、单相220V、三相380V(不可配防爆电机、变频电机)

*Motor can be equipped with DC 12V, DC 24V, single-phase 110V, single-phase 220V, three-phase 380V (explosion-proof motor, frequency conversion motor is not available)

泵头材质

PUMP HEAD MATERIAL

泵浦本体 Pump Body	膜片 Diaphragm	球阀 Valve Ball	球座 Ball Seat	接手 Connection	适用化学品 Applicable Chemicals
PVC	PTFE/ EPDM	陶瓷 Ceramics	FPM/EPDM 或PVC	PVC	氯化亚铁、次氯酸钠、PAC、硫酸、盐酸、磷酸、尿素、消泡剂 Ferrous chloride, sodium hypochlorite, PAC, sulfuric acid, hydrochloric acid, phosphoric acid, urea, defoaming agent
PVC		SUS304	SUS304	PVC	高分子凝集剂、消石灰混合液、活性炭混入液、石灰混合液、氢氧化钠 High polymer agglutinating agent, lime mixture, activated carbon mixture, lime mixture, sodium hydroxide
SUS304		SUS304	SUS304	SUS304	有机溶剂及甲醇等 Organic solvents and methanol, etc
SUS316		SUS316	SUS316	SUS316	
PVDF		陶瓷 Ceramics	PTFE	PVDF	浓硫酸, 强腐蚀性液体等 Concentrated sulfuric acid, strong corrosive liquid, etc

04

GX系列 GX SERIES



GX隔膜计量泵结构紧凑, 节省能源, 提供高精度计量, 是高品质计量泵。该泵有6种型号, 最大排量可达400l/h。

GX隔膜计量泵的隔膜由玻璃纤维加强的EPDM三元乙丙橡胶, 注塑钢芯)制作而成, 与介质接触面是PTFE。该泵使用涡轮蜗杆减速器, 使用电动机功率0.37kw, 三相电压380伏, 频率50Hz。

根据不同化学介质, 该泵的泵头材质可以使用PVC, 不锈钢或PVDF。可选配防爆电机或变频电机。

如果需要自动控制, 可以使用变频电机调节冲程频率或用冲程定位马达调节冲程长度。

GX diaphragm metering pump is a high quality metering pump with compact structure, energy saving and high precision metering. The pump is available in 3 models with a maximum displacement of 400l/h.

GX diaphragm metering pump diaphragm is made of glass fiber reinforced EPDM EPDM, injection steel core), and medium contact surface is PTFE. The pump uses a turborod reducer, uses a motor power of 0.25kW, three-phase voltage of 380V, frequency of 50Hz. Depending on the chemical medium, the pump head material can be PVC, stainless steel or PVDF.

Optional explosion-proof motor or frequency conversion motor. If automatic control is required, stroke frequency can be adjusted using a variable frequency motor or stroke length can be adjusted using a stroke positioning motor.

型号选型

MODEL SELECTION

■ GX隔膜计量泵选型需要考虑下列信息

GX diaphragm metering pump selection needs to consider the following information

- 化学介质
chemical mediator
- 流量
flow rate
- 背压
pressure

■ GX隔膜计量泵技术数据

GX diaphragm metering pump technical data

GX: 0.37kW, 1440rpm, 380V, 50Hz

泵类型 Pump Model	泵在最大背压下流量 Flow Rate At Max. Back Pressure		最大冲程/频率 Max. Stroke		吸程 Suction	连接尺寸 Connection Size	电机功率输出 Motor Power
	Bar	l/hr	毫升 / 冲程 ml/Stroke	冲程 / 分 Stroke/Min			
标识号 PSMa					mWC	G-DN	kW
GX090	5	90	13.0	115	3	1/2"-15	0.37
GX120	5	120	13.3	150	3	1/2"-15	0.37
GX200	5	200	29.0	115	3	1/2"-15	0.37
GX260	5	260	29.0	150	3	1/2"-15	0.37
GX300	5	300	43.5	115	3	1/2"-15	0.37
GX400	5	400	44.4	150	3	1/2"-15	0.37

05 行业应用

INDUSTRY APPLICATION



造纸行业
Papermaking Industry



制冰行业
Icemaking Industry



污水处理
Sewage Treatment



泳池药剂添加及空调制冷
Pool Sterilization



药剂投加
Reagent Dosing



包装行业
Packaging Industry



纯水系统
RO System



电镀行业
Electroplating Industry



饮用水消毒
Chlorine Dioxide Generator

06 生产一角

PRODUCTION SHOW



止回阀 Check valve



泵体组装 Pump Assembly



SMT车间 SMT Workshop



注塑车间 Injection workshop



泵头 Pump head



L O V E C H I N E S E P U M P S !

Head office in South China

Guangdong Qeehua Industry Equipment Co.,Ltd
Building 2, No. 8, East Road, Chenwu Village, Houjie Town, Dongguan City, Guangdong Province
Tel: +86 400-8558-745 +86 769 8558 7455
Web: (English)www.qeehuapump.com (Chinese)www.qeehua-pump.com
(Vietnamese)www.qeehua.com

Branch office in East China

KunShan Qeehua Industry Equipment Co.,Ltd
Address: QiaoCheng Road 1st, KunShan City, JiangSu Province
Mobile: +86 181 1817 9192
Tel: +86 400-6900-665
Fax: +86 512-3669 1416

Jiangxi Branch office

Jiangxi Qeehua Flow Technology Co., Ltd
Room 110, Building 3, Hengke Industrial Park phase 1,
Economic and Technological Development Zone, Ganzhou City, Jiangxi Province
Mobile: +86 152 9775 6998
E-mail: qhzw@jxpump.com.cn
Web: <http://www.jxpump.com.cn>